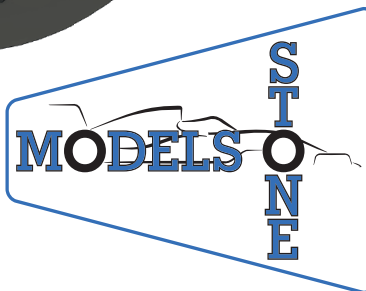
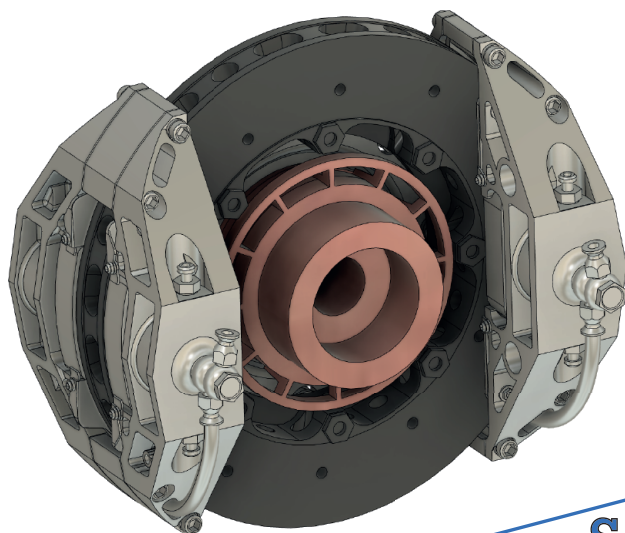
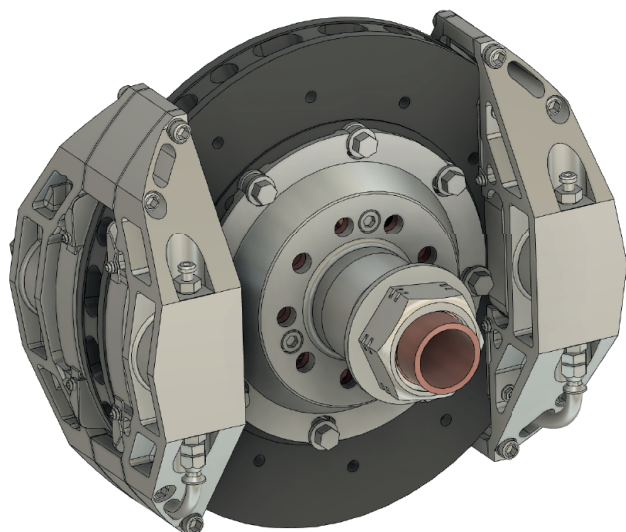


# BRAKE SET

## FOR McLAREN MP4/2C

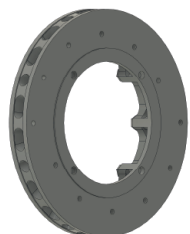
1/12 scale kit



# ASSEMBLY INSTRUCTIONS

## PARTS DETAIL

### • Resin Parts



4x brake disc



2x front axle



2x rear axle

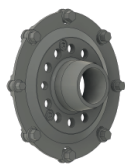


2x left brake line T-fitting

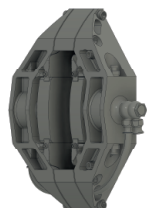
2x right brake line T-fitting



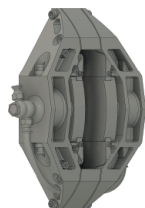
2x front disk bell



2x rear disk bell



4x front brake caliper

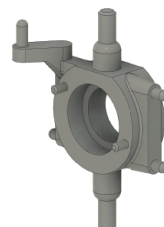


4x rear brake caliper

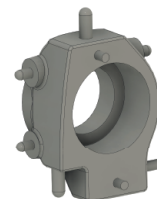


4x nut

### • Kit Parts

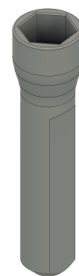


113B/114B (Italeri)



110B/111B (Italeri)

### • Tools



1x wrench

### • Wire

50mm braided brake line

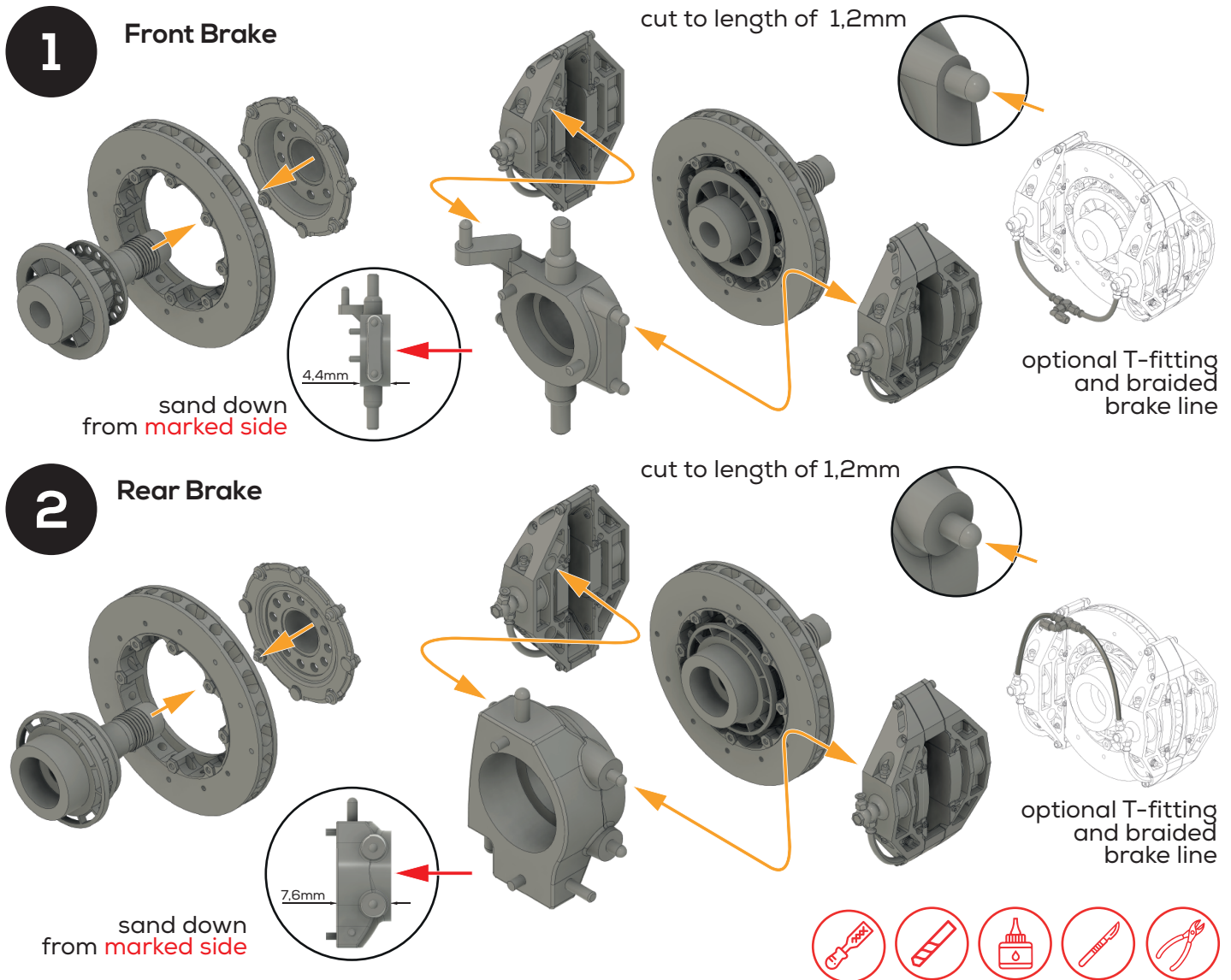
## CAUTION

- Read carefully and fully understand all instructions before assembly.
- Extra care should be taken when using tools avoid personal injury.
- When using paint and cement (not included) read and follow their instructions.
- Assemble the kit away from the reach of children.
- Keep all parts and vinyl bags away from children.

A053/2024

# IMPORTANT INFORMATIONS

- The kit is made by 3D print resins.
- Don't use Resin Wash.
- Thin resin parts are easy to deform. Carefully adjust with a hair dryer or hot water at 60°C or higher. Don't boil resin parts.
- Don't immerse in water, hot water, or solvents for a long time. Absorbs water and solvents.
- After washing with water, dry completely.
- Smooth the parts by sand papers and nippers.
- Various type of putty are available.
- Use epoxy or CA glue only.
- Please try temporarily assembly the kit before applying any adhesives.
- Recommend to apply primer surfacer before painting.



## Explanation of symbols:



Use a file or sandpaper

Drill

Glue

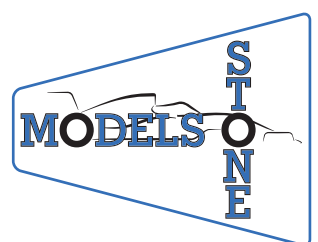
Use a knife or scalpel

Don't use a knife or side cutter

Use a scissors

Use a side cutter

Screw



COPYRIGHT © 2024  
by STONE Models